

LIBATIONS . 11

ROSEMARY VODKA LEMONADE*House-Infused Rosemary Vodka, Lemonade***SUNRISE MARGARITA***Patron Silver, Blood Orange Puree, Cointreau, Lime***CUCUMBER COOLER***Hendricks Gin, Elderflower, Cucumber Juice, Lemon, Sparkling Water***AMERICAN MULE***Tito's Vodka, Fresh Lime, Ginger Beer***SEASONAL SANGRIA***Red or White Wine, Fresh Fruit, Juices, Licor 43***HONEY JULEP***Bulleit Bourbon, Mint, Lemon, Honey Syrup***ESPRESSO MARTINI***Vanilla Vodka, Fresh Espresso, Coffee Liqueurs*

BLOODY MARY BAR

STEP ONE:**CHOOSE YOUR BRIM****PRIME MIX** *himalayan sea salt, celery powder, black pepper***SMOKED SPICE** *cayenne pepper, paprika, smoked salt***STEP TWO:****CHOOSE YOUR SPIRIT****VODKA**

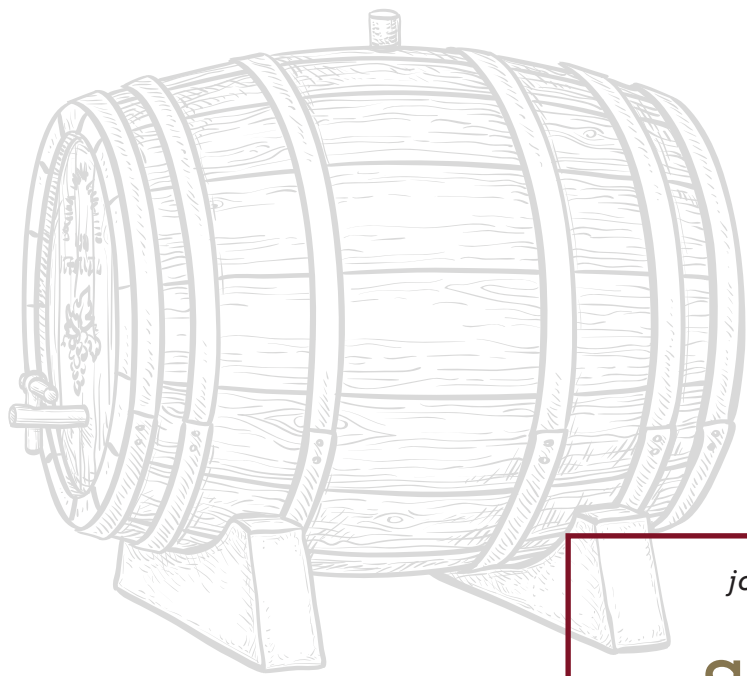
Titos	12
Crop cucumber	13
Grey Goose	15
Labrador Noon Spicy XIII	13

TEQUILA (BLOODY MARIA)

House-Infused Jalapeno Tequila	12
Espolon Blanco	12
Patron Repasado	15

STEP THREE:**HEAD TO THE BLOODY BAR AND CHOOSE YOUR FIXINGS**

Olives	Hot Pickled Peppers	Bacon	Horseradish
Lemons	Fresh Vegetables	Cured Meats	Hot Sauces
Limes	Cornichon Pickles	Cheeses	Shrimp \$3/ea.

*join us every sunday***NEW SUNDAY SUPPER**family-style four course dinner
\$29 per person / 2 person minimum

TABLESIDE MIMOSAS

STEP ONE:**CHOOSE YOUR FRUIT JUICES**

orange	pineapple	mango
grapefruit	peach	strawberry

STEP TWO:**CHOOSE YOUR BUCKET OF BUBBLES**

4 Cans of Archer Roose Bubbly, Veneto, Italy	28
Prima Perla, Prosecco	32
Domaine Chandon, Brut Rose', California	38
Ruffino, Prosecco	40
Moet & Chandon, Imperial Brut, France	90
Veuve Cliquot, Yellow Label Brut, France	110
Pol Roger, Brut, France	110
Dom Perignon, France	300

STEP THREE:**ENJOY!**

WHITE WINE

Glass | Bottle

Villa Jolanda, Prosecco, Italy (split)	11
Bacaro, Pinot Grigio, Italy	9 36
Nobilo, Sauvignon Blanc, New Zealand	10 40
Estancia, Chardonnay, California	10 40
Sonoma Cutrer, Chardonnay, Russian River	15 60
Archer Roose Rose', France	10 40
Banfi "Princepezza" Gavi, Italy	10 40
Montinore, Riesling, Oregon	10 40
Fontanafredda, Moscato, Piedmont	9 36

RED WINE

Glass | Bottle

Mark West, Pinot Noir, CA	10 40
Meiomi, Pinot Noir, CA	12 48
Sterling, Cabernet, CA	10 40
Justin, Cabernet, CA	15 60
Columbia Crest H3, Merlot, CA	12 48
Diseño, Malbec, Argentina	10 40
Santa Cristina, Sangiovese, Tuscany	10 40
Villa Antinore, Super Tuscan, Tuscany	12 48
Terre di Barolo, Barolo, Italy	15 60

NON-ALCOHOLIC

VIRGIN BLOODY MARY	6	COFFEE <i>reg or decaf</i>	3
VIRGIN MOJITO	6	HOT TEA <i>assorted varieties</i>	3
VIRGIN SANGRIA	6	LATTE	5
CRANBERRY JUICE	3	CAPPUCCINO	5
PINEAPPLE JUICE	3	MACCHIATO	5
GRAPEFRUIT JUICE	3	ESPRESSO	4
ORANGE JUICE	3	DOUBLE ESPRESSO	5